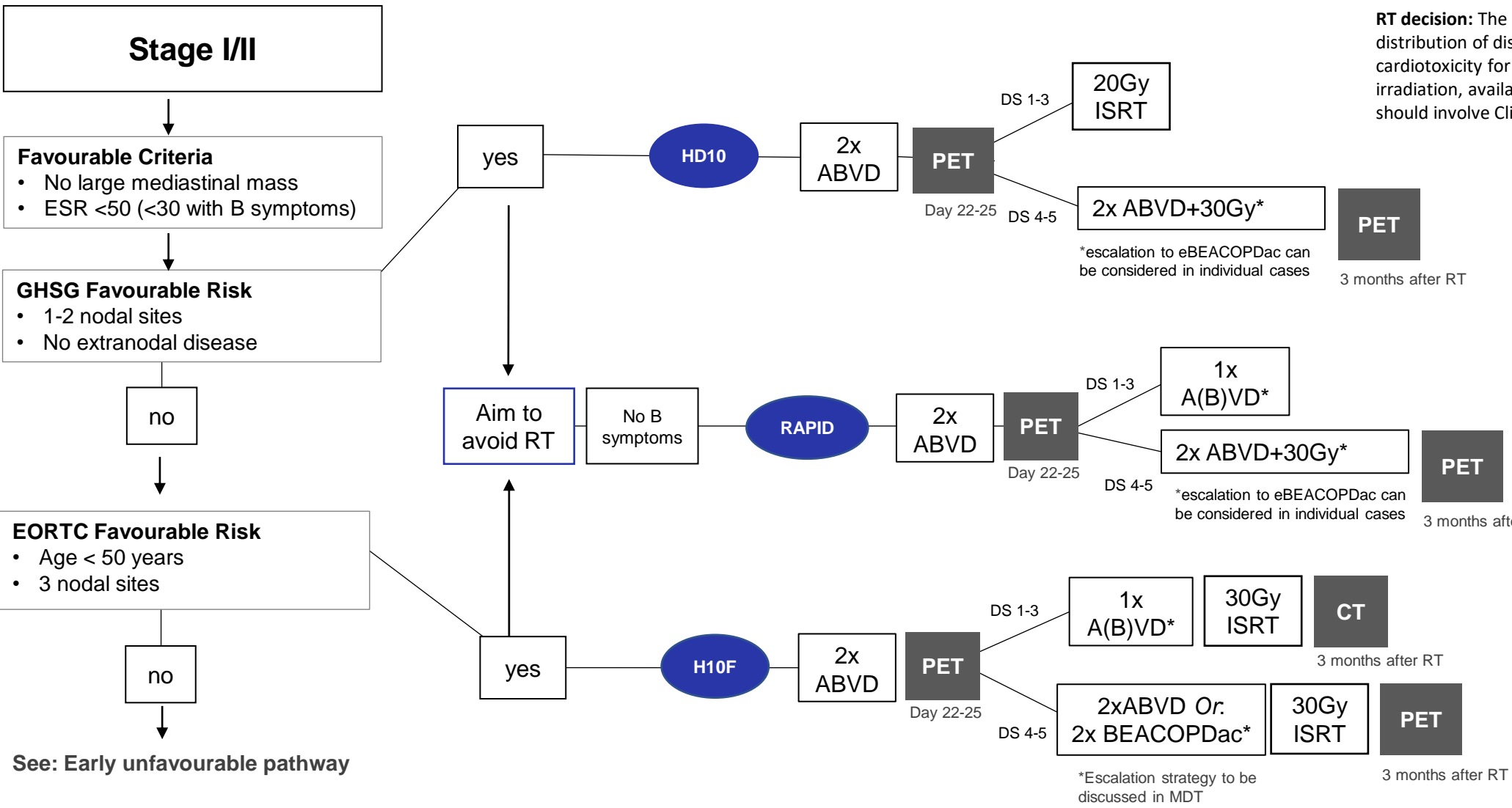


# KHP Early stage favourable cHL pathway

(Fit patients, ≤ 60 years)

Pioneering better health for all



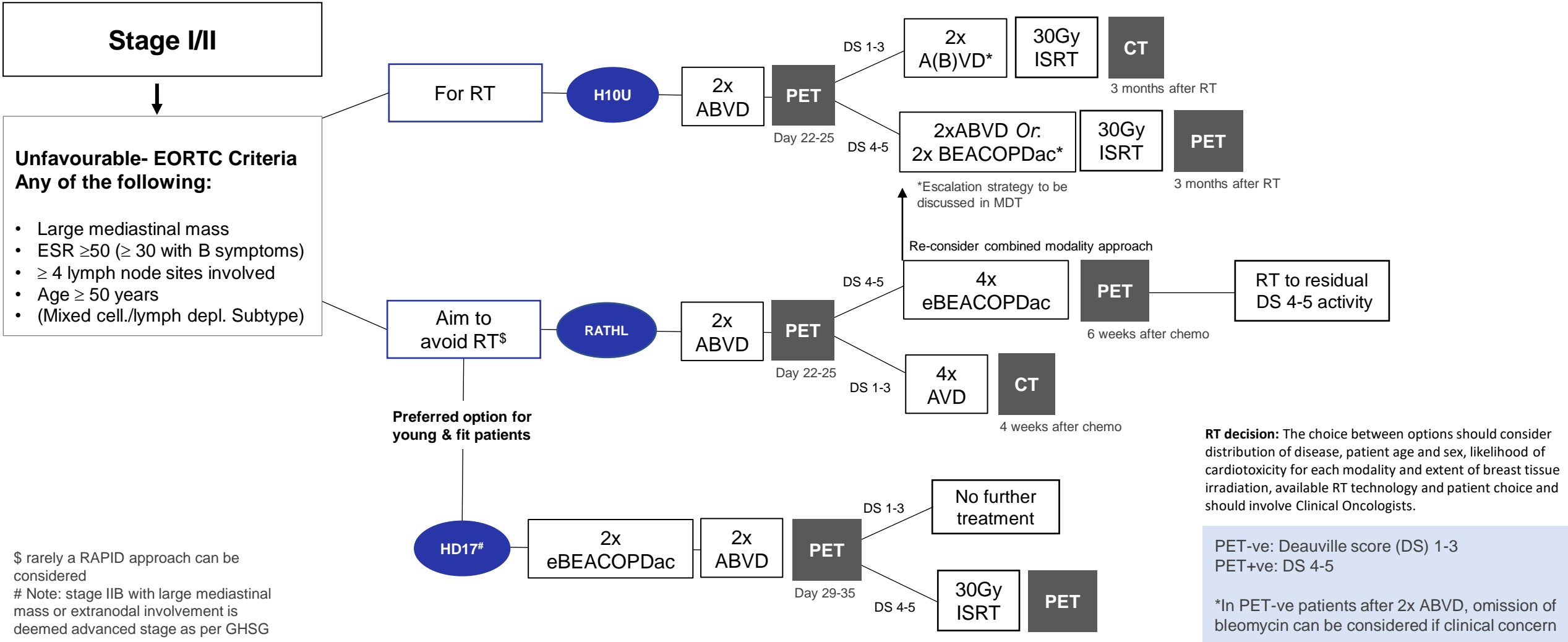
**RT decision:** The choice between options should consider distribution of disease, patient age and sex, likelihood of cardiotoxicity for each modality and extent of breast tissue irradiation, available RT technology and patient choice and should involve Clinical Oncologists.

PET-ve: Deauville score (DS) 1-3  
PET+ve: DS 4-5

\*In PET-ve patients after 2x ABVD, omission of bleomycin can be considered if clinical concern

# KHP Early stage intermediate cHL pathway

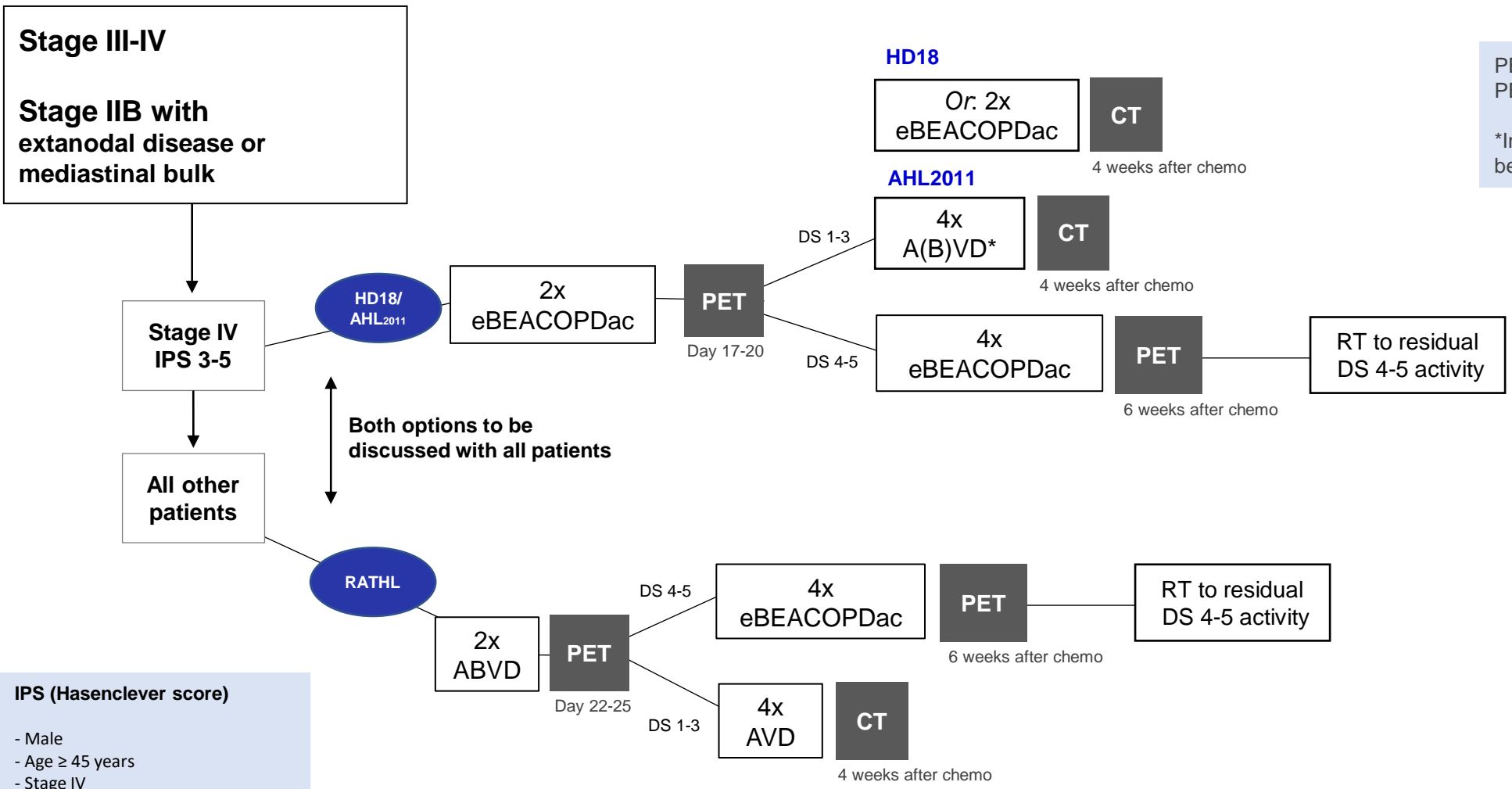
(Fit patients, ≤ 60 years)



<sup>\$</sup> rarely a RAPID approach can be considered  
<sup>#</sup> Note: stage IIB with large mediastinal mass or extranodal involvement is deemed advanced stage as per GHSG

# KHP Advanced stage cHL pathway

(Fit patients, ≤ 60 years)



PET-ve: Deauville score (DS) 1-3  
 PET+ve: DS 4-5  
 \*In PET-ve patients, omission of bleomycin can be considered if clinical concern

**IPS (Hasenclever score)**

- Male
- Age ≥ 45 years
- Stage IV
- Albumin < 40 g/l
- WBC ≥ 15 x 10<sup>9</sup>/l
- Lymphocytes < 0.6 x 10<sup>9</sup> or 8% WBC
- Hb < 105 g/l